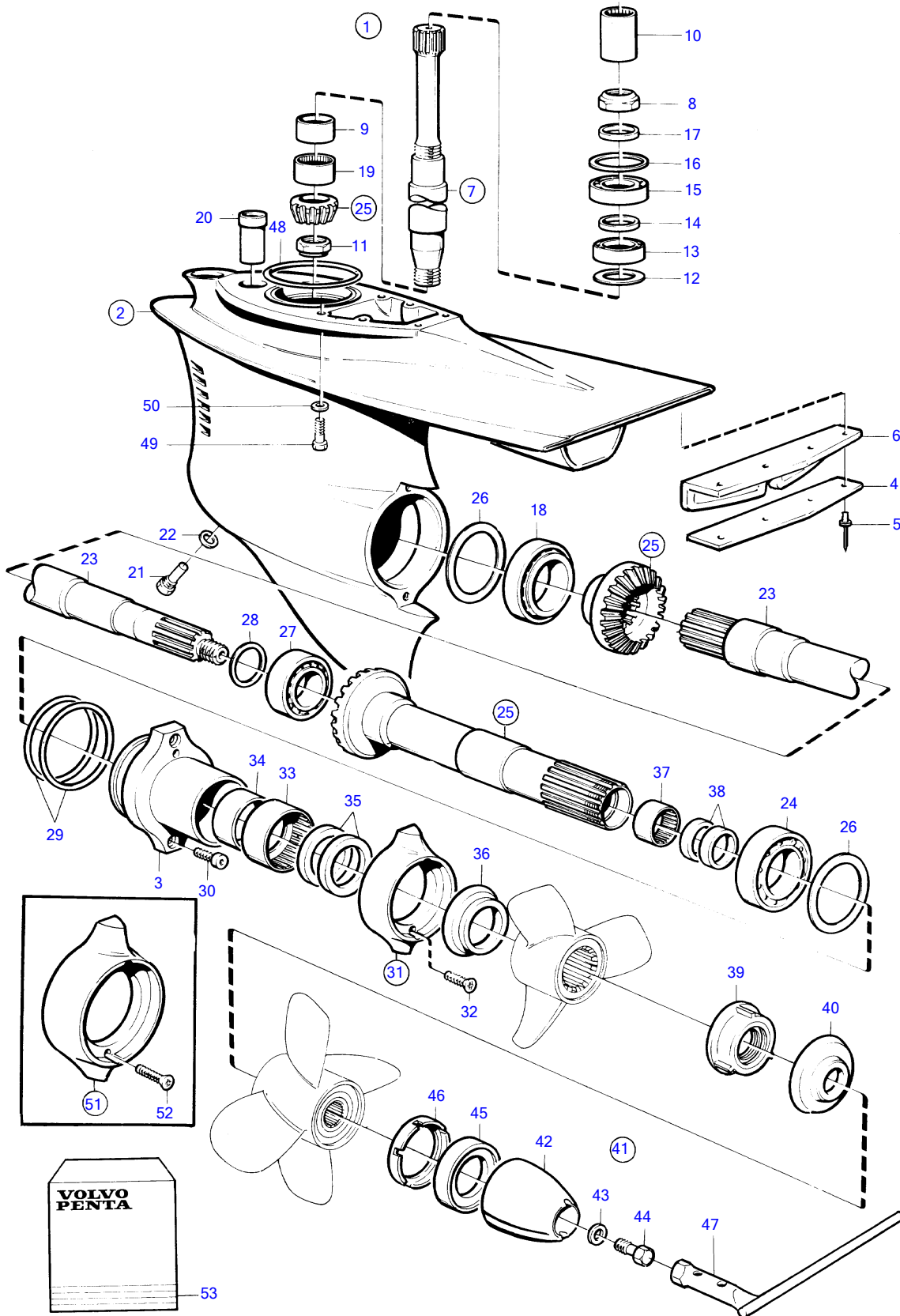


DP-D1



15162

DP-D1

REF	PART NO.	QTY	DESCRIPTION	NOTES
1	872768	1	Lower gear	Ratio 1.95:1
	3803187	1	Lower gear, exch, exch	Ratio 1.95:1
2	3855628	1	• Gear housing	
3	854053	1	• • Bearing housing	
4	872439	1	• • Attaching plate	
5	977711	4	• • Blind rivet	
6	872438	1	• • Check valve	
7	854611	1	• Countershaft	
8	969071	1	• • Round nut	Included in gasket kit.
9	184682	1	• • Inner ring	
10	3852268	1	• • Splined sleeve	
11	852212	1	• Nut	Included in gasket kit.
12	941832	X	• Shim	TH=0.05mm
	941833	X	• Shim	TH=0,20mm
13	183374	1	• Ball bearing	
14	944970	X	• Shim	
15	11072	1	• Roller bearing	
16	944522	X	• Shim	TH=0.05mm
	42981	X	• Shim	TH=0.10mm
	968057	X	• Shim	TH=0,20mm
	42980	X	• Shim	TH=0.35mm
17	897387	1	• Tensioning ring	
18	11044	1	• Roller bearing	
19	184654	1	• Needle roller bushin	
20	814482	1	• Oil strainer	
21	852904	1	• Magnetic plug	
22	955974	1	• O-ring	Included in gasket kit.
23	872533	1	• Propeller shaft	
24	184765	1	• Roller bearing	
25	3861457	1	• Drive gear set	Ratio 1.95:1
26	967352	X	• Shim	TH=0.05mm
	941823	X	• Shim	TH=0,10mm
	967351	X	• Shim	TH=0.15mm
	941824	X	• Shim	TH=0.20mm
	941825	X	• Shim	TH=0.40mm
27	184691	1	• Roller bearing	
28	191834	X	• Shim	TH=0.10mm
	191835	X	• Shim	TH=0.15mm
	191837	X	• Shim	TH=0,25mm
29	925258	2	• O-ring	Included in gasket kit.
30	941812	2	• Hex. socket screw	
31	875821	1	• Zinc ring kit	
32	966808	2	• • Screw	
33	183859	1	• Needle roller bushin	
34	184683	1	• Inner ring	
35	851407	2	• Sealing ring	Included in gasket kit.
36	3858457	1	• Thrust ring	
37	183272	1	• Needle roller bushin	
38	853871	1	• Sealing ring	Included in gasket kit.
39	3851334	1	• Propeller nut	
40	3858458	1	• Thrust ring	
41	872549	1	• Spinner	
42		1	• • Spinner	
43	943194	1	• • Washer	
44	872546	1	• • Lock screw	M12
45	853676	1	• • Spacer ring	
46	854294	1	• • Plastic washer	
47	873058	1	• Tool kit	
48	925256	1	O-ring	Included in gasket kit., Included in complete drive.
49	941810	4	Hex. socket screw	Included in complete drive.
50	853095	4	Washer	Included in complete drive.
51	876138	1	Anode kit	To be used in fresh-water.
52	966808	2	• Screw	

DP-D1

REF	PART NO.	QTY	DESCRIPTION	NOTES
53	876267	1	Gasket kit, lower gear	See group 99